

# *Dalkeith Plastics Pty Ltd*

*30 Millers Road, Wingfield. SA 5013*

*P: (08) 8347 4244*

*M: 0419 392 800*

*E: [manager@dalkeithplastics.com](mailto:manager@dalkeithplastics.com)*

*W: [www.dalkeithplastics.com](http://www.dalkeithplastics.com)*



*HDPE  
Pipe &  
Fittings  
Catalogue*

## Index

All fittings listed are also available Polypropylene, ABS & PVDF

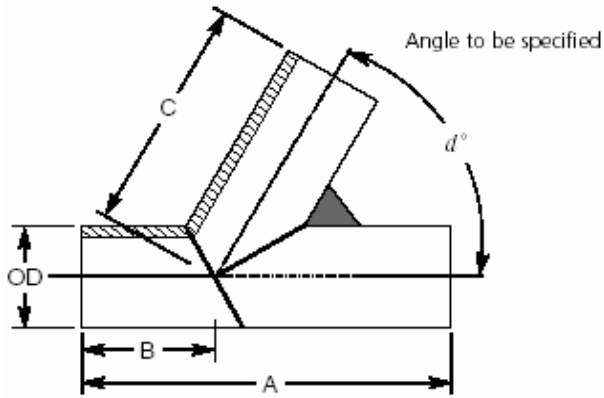
Heading	Page
<b>Polyethylene Pipe (PE)</b>	
Pipe Chart .....	2
<b>Polyethylene Fittings (PE)</b>	
Junctions.....	3
Y-Junctions .....	3
Sweep Bend - 90° .....	4
Sweep Bend - 60° .....	4
Sweep Bend - 45° .....	5
Sweep Bend - 30° .....	5
Segmented Bend - 90° .....	6
Segmented Bend - 60° .....	6
Segmented Bend - 45° .....	7
Segmented Bend - 30° .....	7
Segmented Bend - 180° .....	8
<b>Multi Fittings</b>	
Multi Bend - 90° .....	9
<b>Fittings with Long Spigot</b>	
Elbow - 90° .....	10
Elbow - 45° .....	11
Elbow - 30° .....	11
Bend - 90° .....	12
Tee .....	12
Tee Reducing .....	13
End Cap .....	14
Stub Flange .....	15
Reducer Concentric .....	16
Reducer Eccentric .....	17
<b>Fitting with Short Spigot</b>	
Bend - 90° Short Radius .....	18
Tee .....	19
Tee Reducing .....	20
Reducer Concentric .....	21 – 22
Reducer Concentric Step .....	23
Reducer Eccentric .....	23
End Cap .....	23
Stub Flange .....	24
Union .....	25
Union End .....	25
Union Bush .....	25
Union Nut .....	25
Adaptor Female Thread .....	26
Adaptor Male Thread .....	26
<b>Electro Fusion Fittings</b>	
Coupler .....	27
Tee .....	27
Elbow - 90° .....	28
Elbow - 45° .....	28
Reducer Concentric .....	29
End Cap .....	29
<b>Backing Rings – Galvanised &amp; Stainless Steel</b>	
Table “D” .....	30
Table “E” .....	31
Ansi .....	32
<b>Valves</b>	
Materials & Types .....	32
<b>HDPE Sheet &amp; Rod</b>	
Natural & Black .....	33
Rod .....	33

## POLYETHYLENE PIPE (PE)

The following table shows dimensions and maximum continuous operating pressure for HDPE pipes based on PE100 material and water service temperature at 20°.

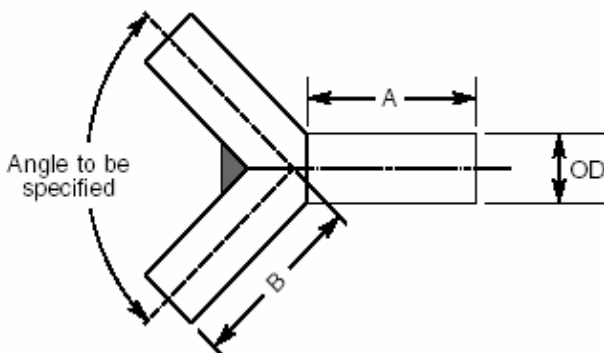
Dimension Ratio	SDR41	SDR33	SDR26	SDR21	SDR17	SDR13.6	SDR11	SDR9
Pressure (bar)	PN4	PN5	PN6.3	PN8	PN10	PN12.5	PN16	PN20
Outside Diameter (mm)	Minimum Wall Thickness (mm)	Minimum Wall Thickness (mm)	Minimum Wall Thickness (mm)	Minimum Wall Thickness (mm)	Minimum Wall Thickness (mm)	Minimum Wall Thickness (mm)	Minimum Wall Thickness (mm)	Minimum Wall Thickness (mm)
20	1.6	1.6	1.6	1.6	1.6	1.6	1.9	2.3
25	1.6	1.6	1.6	1.6	1.8	1.9	2.3	2.8
32	1.6	1.6	1.6	1.6	1.9	2.4	2.9	3.6
40	1.6	1.6	1.6	1.9	2.4	3.0	3.7	4.5
50	1.6	1.6	2.0	2.4	3.0	3.7	4.6	5.6
63	1.6	2.0	2.5	3.0	3.8	4.7	5.8	7.1
75	1.9	2.3	2.9	3.6	4.5	5.5	6.8	8.4
90	2.2	2.8	3.5	4.3	5.4	6.6	8.2	10.1
110	2.7	3.4	4.2	5.3	6.6	8.1	10.0	12.3
125	3.1	3.9	4.8	6.0	7.4	9.2	11.4	14.0
140	3.5	4.3	5.4	6.7	8.3	10.3	12.7	15.7
160	4.0	4.9	6.2	7.7	9.5	11.8	14.6	17.9
180	4.4	5.5	6.9	8.6	10.7	13.3	16.4	20.1
200	4.9	6.2	7.7	9.6	11.9	14.7	18.2	22.4
225	5.5	6.9	8.6	10.8	13.4	16.6	20.5	25.2
250	6.2	7.7	9.6	11.9	14.8	18.4	22.7	27.9
280	6.9	8.6	10.7	13.4	16.6	20.6	25.4	31.3
315	7.7	9.7	12.1	15.0	18.7	23.2	28.6	35.2
355	8.7	10.9	13.6	16.9	21.1	26.1	32.2	39.7
400	9.8	12.3	15.3	19.1	23.7	29.4	36.3	44.7
450	11.0	13.8	17.2	21.5	26.7	33.1	40.9	50.3
500	12.3	15.3	19.1	23.9	29.7	36.8	45.4	55.8
560	13.7	17.2	21.4	26.7	33.2	41.2	50.8	62.5
630	15.4	19.3	24.1	30.0	37.4	46.3	57.2	-
710	17.4	21.8	27.2	33.9	42.1	52.2	64.5	-
800	19.6	24.5	30.6	38.1	47.4	58.8	72.7	-
900	22.0	27.6	34.4	42.9	53.3	66.2	81.8	-
1000	24.5	30.6	38.2	47.7	59.3	72.5	90.9	-
1200	29.4	36.7	46.9	57.2	70.6	88.2	-	-
1400	34.3	42.9	53.5	66.7	82.4	-	-	-
1600	39.2	49.00	61.2	76.2	94.1	-	-	-
1800	44	55.1	68.8	85.8	106.6	-	-	-
2000	48.9	61.2	76.4	95.3	118.4	-	-	-
2250	55	70.0	86	107.2	-	-	-	-
2500	61.2	77.7	95.6	119.1	-	-	-	-

## PE JUNCTION 45° / 60°



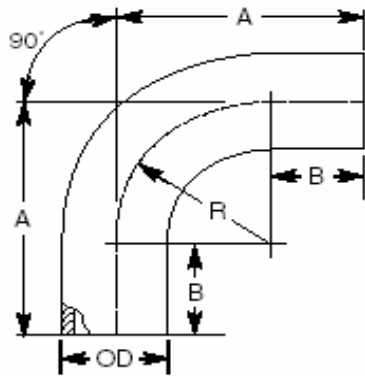
OD	A	B	C
90	700	270	430
110	700	270	430
125	750	300	450
140	780	300	480
160	850	330	520
180	950	360	590
200	960	370	590
225	1080	420	660
250	1150	450	710
280	1250	500	750
315	1350	530	820
355	1450	570	880
400	1550	600	950
450	1850	650	1200
500	2100	700	1400
560	2200	800	1400
630	2300	800	1500
710	2600	900	1700
800	2800	1000	1800
1000	3400	1200	2200

## Y-JUNCTIONS 90° - 60° - 45°



OD	A	B
90	200	450
110	250	450
125	250	450
140	500	600
160	500	600
180	500	750
200	500	750
225	550	750
250	650	900
280	650	900
315	700	1050
355	700	1180
400	1100	1250
450	1100	1300
500	1200	1400
560	1200	1400
630	1200	1400
710	1700	1500
800	1700	1500
1000	1700	1500

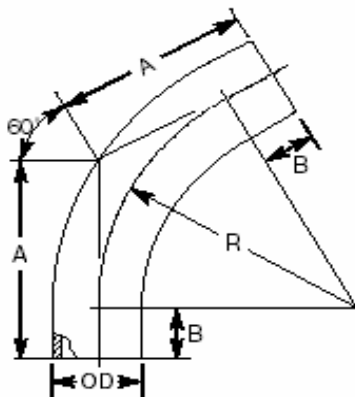
**PE SWEEP BEND 90°**



OD	A	B	R
20	200	100	100
25	200	100	100
32	228	100	128
40	260	100	160
50	275	100	175
63	325	100	225
75	455	150	305
90	455	150	305
110	560	180	380
125	560	180	380
140	660	200	460
160	660	200	460
200	785	250	535
225	785	250	535
250	915	300	615
280	965	350	615
315	1115	400	715
355	1280	500	780
400	1620	550	1070
450	1650	550	1100
500	1950	700	1250
560	1982	700	1282
630	2015	700	1315
710	2462	900	1562
800	2660	900	1760
1000	3100	1000	2100

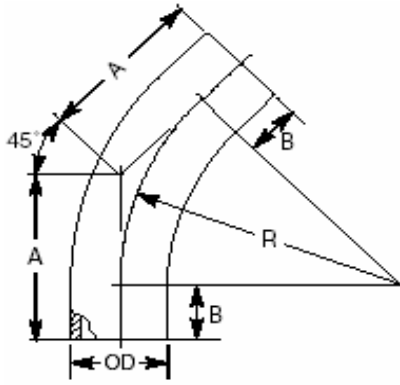
FULL RANGE OF ANGLES FROM 5° TO 180° ARE AVAILBLE ON REQUEST

**PE SWEEP BEND 60°**



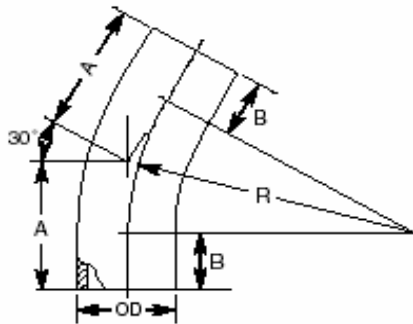
OD	A	B	R
20	155	100	100
25	155	100	100
32	170	100	128
40	190	100	160
50	200	100	175
63	230	100	225
75	320	150	305
90	320	150	305
110	400	180	380
125	400	180	380
140	465	200	460
160	465	200	460
200	560	250	535
225	560	250	535
250	655	300	615
280	705	350	615
315	810	400	715
355	950	500	780
400	1160	550	1070
450	1185	550	1100
500	1420	700	1250
560	1440	700	1282
630	1460	700	1315
710	1800	900	1562
800	1920	900	1760
1000	2210	1000	2100

## PE SWEEP BEND 45°



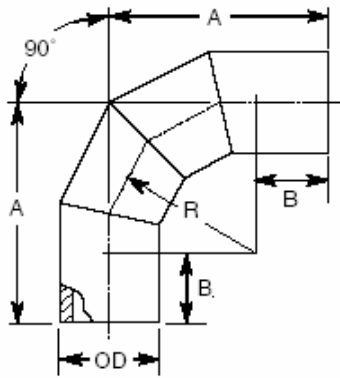
OD	A	B	R
20	140	100	100
25	140	100	100
32	150	100	128
40	165	100	160
50	170	100	175
63	190	100	225
75	270	150	305
90	270	150	305
110	340	180	380
125	340	180	380
140	390	200	460
160	390	200	460
200	470	250	535
225	470	250	535
250	550	300	615
280	605	350	615
315	695	400	715
355	820	500	780
400	990	550	1070
450	1005	550	1100
500	1215	700	1250
560	1230	700	1282
630	1245	700	1315
710	1550	900	1562
800	1630	900	1760
1000	1870	1000	2100

## PE SWEEP BEND 30°



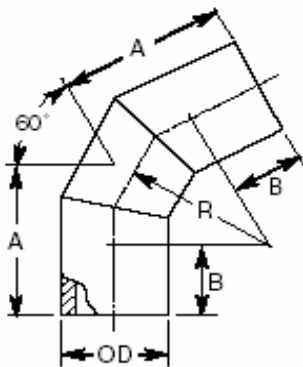
OD	A	B	R
20	130	100	100
25	130	100	100
32	134	100	128
40	140	100	160
50	146	100	175
63	160	100	225
75	230	150	305
90	230	150	305
110	280	180	380
125	280	180	380
140	320	200	460
160	320	200	460
200	320	250	535
225	400	250	535
250	450	300	615
280	510	350	615
315	605	400	715
355	710	500	780
400	830	550	1070
450	840	550	1100
500	1030	700	1250
560	1040	700	1282
630	1050	700	1315
710	1310	900	1562
800	1360	900	1760
1000	1550	1000	2100

**PE SEGMENTED BEND - 90°**



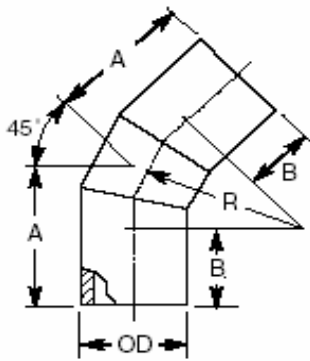
OD	A	B	R
90	235	100	135
110	265	100	165
125	338	150	188
140	360	150	210
160	390	150	240
200	450	150	300
225	488	150	338
250	625	250	375
280	670	250	420
315	777	300	477
355	833	300	533
400	900	300	600
450	975	300	675
500	1100	350	750
560	1190	350	840
630	1295	350	945
710	1415	350	1065
800	1550	350	1200
1000	1900	400	1500
1200	2200	400	1800

**PE SEGMENTED BEND - 60°**



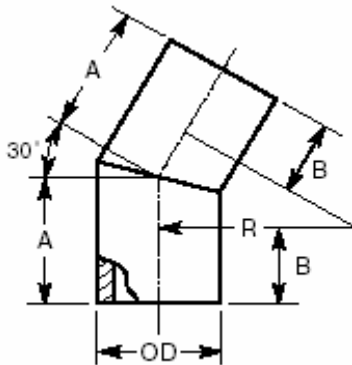
OD	A	B	R
90	178	100	135
110	195	100	165
125	258	150	188
140	275	150	210
160	288	150	240
200	323	150	300
225	345	150	338
250	466	250	375
280	492	250	420
315	576	300	477
355	608	300	533
400	646	300	600
450	689	300	675
500	783	350	750
560	835	350	840
630	896	350	945
710	965	350	1065
800	1043	350	1200
1000	1267	400	1500
1200	1440	400	1800

## PE SEGMENTED BEND - 45°



OD	A	B	R
90	156	100	135
110	168	100	165
125	227	150	188
140	237	150	210
160	249	150	240
200	274	150	300
225	290	150	338
250	412	250	375
280	474	250	420
315	498	300	477
355	520	300	533
400	548	300	600
450	580	300	675
500	665	350	750
560	698	350	840
630	741	350	945
710	791	350	1065
800	847	350	1200
1000	1022	400	1500
1200	1146	400	1800

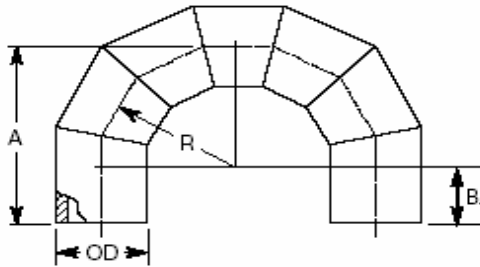
## PE SEGMENTED BEND - 30°



OD	A	B	R
90	135	100	135
110	143	150	165
125	199	150	188
140	205	150	210
160	213	150	240
200	230	150	300
225	241	150	338
250	350	250	375
280	362	250	420
315	428	300	477
355	443	300	533
400	461	300	600
450	481	300	675
500	551	350	750
560	575	350	840
630	603	350	945
710	631	350	1065
800	666	350	1200
1000	795	400	1500
1200	875	400	1800



## PE SEGMENTED BEND - 180°



OD	A	B	R
90	235	100	135
110	265	100	165
125	338	150	188
140	360	150	210
160	390	150	240
200	450	150	300
225	488	150	338
250	625	150	375
280	670	150	420
315	777	300	477
355	833	300	533
400	900	300	600
450	975	300	675
500	1100	350	750
560	1190	350	840
630	1295	350	945
710	1415	350	1065
800	1550	350	1200
1000	1900	400	1500
1200	2200	400	1800

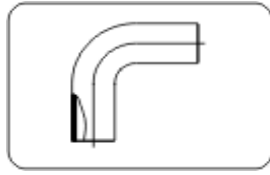
## LONG SPIGOT FITTINGS

### Multi-Bend 90°

Injection Moulded

Butt + EF Welding

PE 100 Black



Dimension	Detail
63	63 x 3,8 SDR17 ISO S-8
75	75 x 4,5 SDR17 ISO S-8
90	90 x 5,4 SDR17 ISO S-8
110	110 x 6,6 SDR17 ISO S-8
125	125 x 7,4 SDR17 ISO S-8
140	140 x 8,3 SDR17 ISO S-8
160	160 x 9,5 SDR17 ISO S-8
180	180 x 10,7 SDR17 ISO S-8
200	200 x 11,9 SDR17 ISO S-8
225	225 x 13,4 SDR17 ISO S-8
20	20 x 2,0 SDR11 ISO S-5
25	25 x 2,3 SDR11 ISO S-5
32	32 x 3,0 SDR11 ISO S-5
40	40 x 3,7 SDR11 ISO S-5
50	50 x 4,6 SDR11 ISO S-5
63	63 x 5,8 SDR11 ISO S-5
75	75 x 6,8 SDR11 ISO S-5
90	90 x 8,2 SDR11 ISO S-5
110	110 x 10,0 SDR11 ISO S-5
125	125 x 11,4 SDR11 ISO S-5
140	140 x 12,7 SDR11 ISO S-5
160	160 x 14,6 SDR11 ISO S-5
180	180 x 16,4 SDR11 ISO S-5
200	200 x 18,2 SDR11 ISO S-5
225	225 x 20,5 SDR11 ISO S-5

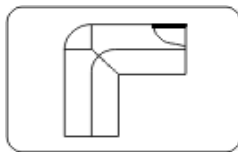
## LONG SPIGOT FITTINGS

### Elbow 90°

Injection Moulded

Butt + EF Welding

PE 100 Black



Dimension	Detail
63	63 x 3,8 SDR17 ISO S-8
75	75 x 4,5 SDR17 ISO S-8
90	90 x 5,4 SDR17 ISO S-8
110	110 x 6,6 SDR17 ISO S-8
125	125 x 7,4 SDR17 ISO S-8
140	140 x 8,3 SDR17 ISO S-8
160	160 x 9,5 SDR17 ISO S-8
180	180 x 10,7 SDR17 ISO S-8
200	200 x 11,9 SDR17 ISO S-8
225	225 x 13,4 SDR17 ISO S-8
250	250 x 14,8 SDR17 ISO S-8
280	280 x 16,6 SDR17 ISO S-8
315	315 x 18,7 SDR17 ISO S-8
20	20 x 3,0 SDR11 ISO S-5
25	25 x 3,0 SDR11 ISO S-5
32	32 x 3,0 SDR11 ISO S-5
40	40 x 3,7 SDR11 ISO S-5
50	50 x 4,6 SDR11 ISO S-5
63	63 x 5,8 SDR11 ISO S-5
75	75 x 6,8 SDR11 ISO S-5
90	90 x 8,2 SDR11 ISO S-5
110	110 x 10,0 SDR11 ISO S-5
125	125 x 11,4 SDR11 ISO S-5
140	140 x 12,7 SDR11 ISO S-5
160	160 x 14,6 SDR11 ISO S-5
180	180 x 16,4 SDR11 ISO S-5
200	200 x 18,2 SDR11 ISO S-5
225	225 x 20,5 SDR11 ISO S-5
250	250 x 22,7 SDR11 ISO S-5
280	280 x 25,4 SDR11 ISO S-5
315	315 x 28,6 SDR11 ISO S-5

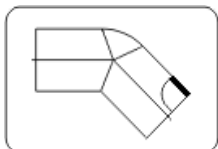
## LONG SPIGOT FITTINGS

### Elbow 45°

Injection Moulded

Butt + EF Welding

PE 100 Black



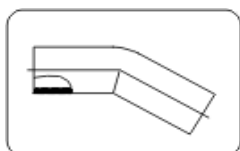
Dimension	Detail
63	63 x 3,8 SDR17 ISO S-8
75	75 x 4,5 SDR17 ISO S-8
90	90 x 5,4 SDR17 ISO S-8
110	110 x 6,6 SDR17 ISO S-8
125	125 x 7,4 SDR17 ISO S-8
140	140 x 8,3 SDR17 ISO S-8
160	160 x 9,5 SDR17 ISO S-8
180	180 x 10,7 SDR17 ISO S-8
200	200 x 11,9 SDR17 ISO S-8
225	225 x 13,4 SDR17 ISO S-8
250	250 x 14,8 SDR17 ISO S-8
280	280 x 16,6 SDR17 ISO S-8
315	315 x 18,7 SDR17 ISO S-8
20	20 x 3,0 SDR11 ISO S-5
25	25 x 3,0 SDR11 ISO S-5
32	32 x 3,0 SDR11 ISO S-5
40	40 x 3,7 SDR11 ISO S-5
50	50 x 4,6 SDR11 ISO S-5
63	63 x 5,8 SDR11 ISO S-5
75	75 x 6,8 SDR11 ISO S-5
90	90 x 8,2 SDR11 ISO S-5
110	110 x 10,0 SDR11 ISO S-5
125	125 x 11,4 SDR11 ISO S-5
140	140 x 12,7 SDR11 ISO S-5
160	160 x 14,6 SDR11 ISO S-5
180	180 x 16,4 SDR11 ISO S-5
200	200 x 18,2 SDR11 ISO S-5
225	225 x 20,5 SDR11 ISO S-5
250	250 x 22,7 SDR11 ISO S-5
280	280 x 25,4 SDR11 ISO S-5
315	315 x 28,6 SDR11 ISO S-5

### Elbow 30°

Injection Moulded

Butt +EF Welding

PE 100 Black



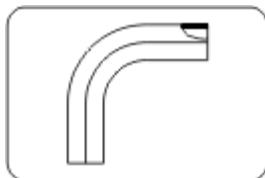
Dimension	Detail
90	90 x 5,4 SDR17 ISO S-8
110	110 x 6,6 SDR17 ISO S-8
160	160 x 9,5 SDR17 ISO S-8
90	90 x 8,2 SDR11 ISO S-5
110	110 x 10,0 SDR11 ISO S-5
160	160 x 14,6 SDR11 ISO S-5

## Bend 90°

Injection Moulded

Butt + EF Welding

PE 100 Black



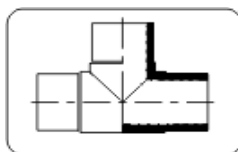
Dimension	Detail
20	20 x 3,0 SDR11 ISO S-5
25	25 x 3,0 SDR11 ISO S-5
32	32 x 3,0 SDR11 ISO S-5
40	40 x 3,7 SDR11 ISO S-5
50	50 x 4,6 SDR11 ISO S-5
63	63 x 5,8 SDR11 ISO S-5
75	75 x 6,8 SDR11 ISO S-5
90	90 x 8,2 SDR11 ISO S-5
110	110 x 10,0 SDR11 ISO S-5
125	125 x 11,4 SDR11 ISO S-5
160	160 x 14,6 SDR11 ISO S-5
200	200 x 18,2 SDR11 ISO S-5
225	225 x 20,5 SDR11 ISO S-5
250	250 x 22,7 SDR11 ISO S-5
280	280 x 25,4 SDR11 ISO S-5
315	315 x 28,6 SDR11 ISO S-5

## Tee

Injection Moulded

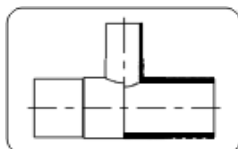
Butt + EF Welding

PE 100 Black



Dimension	Detail
63	63 x 3,8 SDR17 ISO S-8
75	75 x 4,5 SDR17 ISO S-8
90	90 x 5,4 SDR17 ISO S-8
110	110 x 6,6 SDR17 ISO S-8
125	125 x 7,4 SDR17 ISO S-8
140	140 x 8,3 SDR17 ISO S-8
160	160 x 9,5 SDR17 ISO S-8
180	180 x 10,7 SDR17 ISO S-8
200	200 x 11,9 SDR17 ISO S-8
225	225 x 13,4 SDR17 ISO S-8
250	250 x 14,8 SDR17 ISO S-8
280	280 x 16,6 SDR17 ISO S-8
315	315 x 18,7 SDR17 ISO S-8
20	20 x 3,0 SDR11 ISO S-5
25	25 x 3,0 SDR11 ISO S-5
32	32 x 3,0 SDR11 ISO S-5
40	40 x 3,7 SDR11 ISO S-5
50	50 x 4,6 SDR11 ISO S-5
63	63 x 5,8 SDR11 ISO S-5
75	75 x 6,8 SDR11 ISO S-5
90	90 x 8,2 SDR11 ISO S-5
110	110 x 10,0 SDR11 ISO S-5
125	125 x 11,4 SDR11 ISO S-5
140	140 x 12,7 SDR11 ISO S-5
160	160 x 14,6 SDR11 ISO S-5
180	180 x 16,4 SDR11 ISO S-5
200	200 x 18,2 SDR11 ISO S-5
225	225 x 20,5 SDR11 ISO S-5
250	250 x 22,7 SDR11 ISO S-5
280	280 x 25,4 SDR11 ISO S-5
315	315 x 28,6 SDR11 ISO S-5

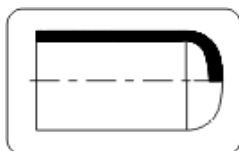
**Tee Reducing**  
Injection Moulded  
Butt + EF Welding  
PE 100 Black



Dimension	Detail
63/50	63/50 SDR17 ISO S-8
75/50	75/50 SDR17 ISO S-8
75/63	75/63 SDR17 ISO S-8
90/63	90/63 SDR17 ISO S-8
90/75	90/75 SDR17 ISO S-8
110/63	110/63 SDR17 ISO S-8
110/75	110/75 SDR17 ISO S-8
110/90	110/90 SDR17 ISO S-8
125/110	125/110 SDR17 ISO S-8
160/63	160/63 SDR17 ISO S-8
160/75	160/75 SDR17 ISO S-8
160/90	160/90 SDR17 ISO S-8
160/110	160/110 SDR17 ISO S-8
180/90	180/90 SDR17 ISO S-8
180/160	180/160 SDR17 ISO S-8
200/63	200/63 SDR17 ISO S-8
200/90	200/90 SDR17 ISO S-8
200/110	200/110 SDR17 ISO S-8
200/125	200/125 SDR17 ISO S-8
200/160	200/160 SDR17 ISO S-8
225/75	225/75 SDR17 ISO S-8
225/90	225/90 SDR17 ISO S-8
225/110	225/110 SDR17 ISO S-8
225/160	225/160 SDR17 ISO S-8
225/180	225/180 SDR17 ISO S-8
315/110	315/110 SDR17 ISO S-8
315/160	315/160 SDR17 ISO S-8
315/225	315/225 SDR17 ISO S-8
315/250	315/250 SDR17 ISO S-8
63/50	63/50 SDR11 ISO S-5
75/32	75/32 SDR11 ISO S-5
75/50	75/50 SDR11 ISO S-5
75/63	75/63 SDR11 ISO S-5
90/63	90/63 SDR11 ISO S-5
90/75	90/75 SDR11 ISO S-5
110/63	110/63 SDR11 ISO S-5
110/75	110/75 SDR11 ISO S-5
110/90	110/90 SDR11 ISO S-5
125/90	125/90 SDR11 ISO S-5
125/110	125/110 SDR11 ISO S-5
160/63	160/63 SDR11 ISO S-5
160/75	160/75 SDR11 ISO S-5
160/90	160/90 SDR11 ISO S-5
160/110	160/110 SDR11 ISO S-5
180/90	180/90 SDR11 ISO S-5
180/110	180/110 SDR11 ISO S-5
180/160	180/160 SDR11 ISO S-5
200/63	200/63 SDR11 ISO S-5
200/90	200/90 SDR11 ISO S-5
200/110	200/110 SDR11 ISO S-5
200/125	200/125 SDR11 ISO S-5
200/160	200/160 SDR11 ISO S-5
225/75	225/75 SDR11 ISO S-5
225/90	225/90 SDR11 ISO S-5
225/110	225/110 SDR11 ISO S-5
225/160	225/160 SDR11 ISO S-5
225/180	225/180 SDR11 ISO S-5
315/110	315/110 SDR11 ISO S-5
315/160	315/160 SDR11 ISO S-5
315/225	315/225 SDR11 ISO S-5
315/250	315/250 SDR11 ISO S-5

## End Cap

Injection Moulded  
Butt + EF Welding  
PE 100 Black



Dimension	Detail
63	63 x 3,8 SDR17 ISO S-8
75	75 x 4,5 SDR17 ISO S-8
90	90 x 5,4 SDR17 ISO S-8
110	110 x 6,6 SDR17 ISO S-8
125	125 x 7,4 SDR17 ISO S-8
140	140 x 8,3 SDR17 ISO S-8
160	160 x 9,5 SDR17 ISO S-8
180	180 x 10,7 SDR17 ISO S-8
200	200 x 11,9 SDR17 ISO S-8
225	225 x 13,4 SDR17 ISO S-8
250	250 x 14,8 SDR17 ISO S-8
280	280 x 16,6 SDR17 ISO S-8
315	315 x 18,7 SDR17 ISO S-8
20	20 x 3,0 SDR11 ISO S-5
25	25 x 3,0 SDR11 ISO S-5
32	32 x 3,0 SDR11 ISO S-5
40	40 x 3,7 SDR11 ISO S-5
50	50 x 4,6 SDR11 ISO S-5
63	63 x 5,8 SDR11 ISO S-5
75	75 x 6,8 SDR11 ISO S-5
90	90 x 8,2 SDR11 ISO S-5
110	110 x 10,0 SDR11 ISO S-5
125	125 x 11,4 SDR11 ISO S-5
140	140 x 12,7 SDR11 ISO S-5
160	160 x 14,6 SDR11 ISO S-5
180	180 x 16,4 SDR11 ISO S-5
200	200 x 18,2 SDR11 ISO S-5
225	225 x 20,5 SDR11 ISO S-5
250	250 x 22,7 SDR11 ISO S-5
280	280 x 25,4 SDR11 ISO S-5
315	315 x 28,6 SDR11 ISO S-5

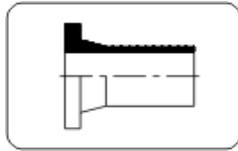
## LONG SPIGOT FITTINGS

### Stub Flange

Injection Moulded

Butt + EF Welding

PE 100 Black



Dimension	Detail
63	63 x 3,8 SDR17 ISO S-8
75	75 x 4,5 SDR17 ISO S-8
90	90 x 5,4 SDR17 ISO S-8
110	110 x 6,6 SDR17 ISO S-8
125	125 x 7,4 SDR17 ISO S-8
140	140 x 8,3 SDR17 ISO S-8
160	160 x 9,5 SDR17 ISO S-8
180	180 x 10,7 SDR17 ISO S-8
200	200 x 11,9 SDR17 ISO S-8
225	225 x 13,4 SDR17 ISO S-8
250	250 x 14,8 SDR17 ISO S-8
280	280 x 16,6 SDR17 ISO S-8
315	315 x 18,7 SDR17 ISO S-8
20	20 x 3,0 SDR11 ISO S-5
25	25 x 3,0 SDR11 ISO S-5
32	32 x 3,0 SDR11 ISO S-5
40	40 x 3,7 SDR11 ISO S-5
50	50 x 4,6 SDR11 ISO S-5
63	63 x 5,8 SDR11 ISO S-5
75	75 x 6,8 SDR11 ISO S-5
90	90 x 8,2 SDR11 ISO S-5
110	110 x 10,0 SDR11 ISO S-5
125	125 x 11,4 SDR11 ISO S-5
140	140 x 12,7 SDR11 ISO S-5
160	160 x 14,6 SDR11 ISO S-5
180	180 x 16,4 SDR11 ISO S-5
200	200 x 18,2 SDR11 ISO S-5
225	225 x 20,5 SDR11 ISO S-5
250	250 x 22,7 SDR11 ISO S-5
280	280 x 25,4 SDR11 ISO S-5
315	315 x 28,6 SDR11 ISO S-5



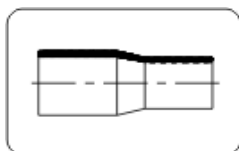
# LONG SPIGOT FITTINGS

## Reducer Concentric

Injection Moulded

Butt + EF Welding

PE 100 Black



Dimension	Detail
75/63	75/63 SDR17 ISO S-8
90/63	90/63 SDR17 ISO S-8
90/75	90/75 SDR17 ISO S-8
110/63	110/63 SDR17 ISO S-8
110/90	110/90 SDR17 ISO S-8
125/63	125/63 SDR17 ISO S-8
125/90	125/90 SDR17 ISO S-8
125/110	125/110 SDR17 ISO S-8
140/125	140/125 SDR17 ISO S-8
160/90	160/90 SDR17 ISO S-8
160/110	160/110 SDR17 ISO S-8
160/125	160/125 SDR17 ISO S-8
160/140	160/140 SDR17 ISO S-8
180/125	180/125 SDR17 ISO S-8
180/160	180/160 SDR17 ISO S-8
200/160	200/160 SDR17 ISO S-8
225/160	225/160 SDR17 ISO S-8
250/160	250/160 SDR17 ISO S-8
250/200	250/200 SDR17 ISO S-8
250/225	250/225 SDR17 ISO S-8
280/250	280/250 SDR17 ISO S-8
315/200	315/200 SDR17 ISO S-8
315/225	315/225 SDR17 ISO S-8
315/250	315/250 SDR17 ISO S-8
25/20	25/20 SDR11 ISO S-5
32/20	32/20 SDR11 ISO S-5
32/25	32/25 SDR11 ISO S-5
40/20	40/20 SDR11 ISO S-5
40/25	40/25 SDR11 ISO S-5
40/32	40/32 SDR11 ISO S-5
50/25	50/25 SDR11 ISO S-5
50/32	50/32 SDR11 ISO S-5
50/40	50/40 SDR11 ISO S-5
63/32	63/32 SDR11 ISO S-5
63/40	63/40 SDR11 ISO S-5
63/50	63/50 SDR11 ISO S-5
75/50	75/50 SDR11 ISO S-5
75/63	75/63 SDR11 ISO S-5
90/63	90/63 SDR11 ISO S-5
90/75	90/75 SDR11 ISO S-5
110/63	110/63 SDR11 ISO S-5
110/90	110/90 SDR11 ISO S-5
125/63	125/63 SDR11 ISO S-5
125/90	125/90 SDR11 ISO S-5
125/110	125/110 SDR11 ISO S-5
140/125	140/125 SDR11 ISO S-5
160/90	160/90 SDR11 ISO S-5
160/110	160/110 SDR11 ISO S-5
160/125	160/125 SDR11 ISO S-5
160/140	160/140 SDR11 ISO S-5
180/125	180/125 SDR11 ISO S-5
180/160	180/160 SDR11 ISO S-5
200/160	200/160 SDR11 ISO S-5
225/160	225/160 SDR11 ISO S-5
250/160	250/160 SDR11 ISO S-5
250/200	250/200 SDR11 ISO S-5
250/225	250/225 SDR11 ISO S-5
280/250	280/250 SDR11 ISO S-5
315/200	315/200 SDR11 ISO S-5
315/225	315/225 SDR11 ISO S-5
315/250	315/250 SDR11 ISO S-5

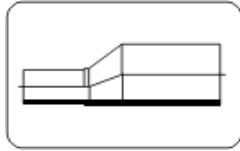
## LONG SPIGOT FITTINGS

### Reducer Eccentric

Injection Moulded

Butt + EF Welding

PE 100 Black



Dimension	Detail
63/50	63/50 SDR17 ISO S-8
75/50	75/50 SDR17 ISO S-8
75/63	75/63 SDR17 ISO S-8
90/63	90/63 SDR17 ISO S-8
90/75	90/75 SDR17 ISO S-8
110/63	110/63 SDR17 ISO S-8
110/90	110/90 SDR17 ISO S-8
125/63	125/63 SDR17 ISO S-8
125/90	125/90 SDR17 ISO S-8
125/110	125/110 SDR17 ISO S-8
140/125	140/125 SDR17 ISO S-8
160/90	160/90 SDR17 ISO S-8
160/110	160/110 SDR17 ISO S-8
160/125	160/125 SDR17 ISO S-8
160/140	160/140 SDR17 ISO S-8
180/90	180/90 SDR17 ISO S-8
180/125	180/125 SDR17 ISO S-8
180/160	180/160 SDR17 ISO S-8
200/160	200/160 SDR17 ISO S-8
200/180	200/180 SDR17 ISO S-8
225/160	225/160 SDR17 ISO S-8
225/180	225/180 SDR17 ISO S-8
225/200	225/200 SDR17 ISO S-8
250/200	250/200 SDR17 ISO S-8
250/225	250/225 SDR17 ISO S-8
25/20	25/20 SDR11 ISO S-5
32/25	32/25 SDR11 ISO S-5
40/25	40/25 SDR11 ISO S-5
40/32	40/32 SDR11 ISO S-5
50/32	50/32 SDR11 ISO S-5
50/40	50/40 SDR11 ISO S-5
63/32	63/32 SDR11 ISO S-5
63/40	63/40 SDR11 ISO S-5
63/50	63/50 SDR11 ISO S-5
75/50	75/50 SDR11 ISO S-5
75/63	75/63 SDR11 ISO S-5
90/63	90/63 SDR11 ISO S-5
90/75	90/75 SDR11 ISO S-5
110/63	110/63 SDR11 ISO S-5
110/90	110/90 SDR11 ISO S-5
125/63	125/63 SDR11 ISO S-5
125/90	125/90 SDR11 ISO S-5
125/110	125/110 SDR11 ISO S-5
140/125	140/125 SDR11 ISO S-5
160/90	160/90 SDR11 ISO S-5
160/110	160/110 SDR11 ISO S-5
160/125	160/125 SDR11 ISO S-5
160/140	160/140 SDR11 ISO S-5
180/90	180/90 SDR11 ISO S-5
180/125	180/125 SDR11 ISO S-5
180/160	180/160 SDR11 ISO S-5
200/160	200/160 SDR11 ISO S-5
200/180	200/180 SDR11 ISO S-5
225/160	225/160 SDR11 ISO S-5
225/180	225/180 SDR11 ISO S-5
225/200	225/200 SDR11 ISO S-5
250/200	250/200 SDR11 ISO S-5
250/225	250/225 SDR11 ISO S-5

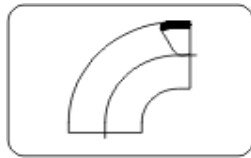
## SHORT SPIGOT FITTINGS

### Bend 90° Short Radius

Injection Moulded

Butt Welding

PE 100 Black



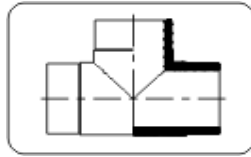
Dimension	Detail
50	50 x 3,0 SDR17 ISO S-8
63	63 x 3,8 SDR17 ISO S-8
75	75 x 4,5 SDR17 ISO S-8
90	90 x 5,4 SDR17 ISO S-8
110	110 x 6,6 SDR17 ISO S-8
125	125 x 7,4 SDR17 ISO S-8
140	140 x 8,3 SDR17 ISO S-8
160	160 x 9,5 SDR17 ISO S-8
180	180 x 10,7 SDR17 ISO S-8
200	200 x 11,9 SDR17 ISO S-8
225	225 x 13,4 SDR17 ISO S-8
250	250 x 14,8 SDR17 ISO S-8
280	280 x 16,6 SDR17 ISO S-8
315	315 x 18,7 SDR17 ISO S-8
355	355 x 21,1 SDR17 ISO S-8
400	400 x 23,7 SDR17 ISO S-8
450	450 x 26,7 SDR17 ISO S-8
500	500 x 29,7 SDR17 ISO S-8
20	20 x 2,5 SDR11 ISO S-5
25	25 x 2,7 SDR11 ISO S-5
32	32 x 2,9 SDR11 ISO S-5
40	40 x 3,7 SDR11 ISO S-5
50	50 x 4,6 SDR11 ISO S-5
63	63 x 5,8 SDR11 ISO S-5
75	75 x 6,8 SDR11 ISO S-5
90	90 x 8,2 SDR11 ISO S-5
110	110 x 10,0 SDR11 ISO S-5
125	125 x 11,4 SDR11 ISO S-5
140	140 x 12,7 SDR11 ISO S-5
160	160 x 14,6 SDR11 ISO S-5
180	180 x 16,4 SDR11 ISO S-5
200	200 x 18,2 SDR11 ISO S-5
225	225 x 20,5 SDR11 ISO S-5
250	250 x 22,7 SDR11 ISO S-5
280	280 x 25,4 SDR11 ISO S-5
315	315 x 28,6 SDR11 ISO S-5
355	355 x 32,2 SDR11 ISO S-5
400	400 x 36,3 SDR11 ISO S-5
450	450 x 40,9 SDR11 ISO S-5
500	500 x 45,4 SDR11 ISO S-5

## SHORT SPIGOT FITTINGS

### Tee

Injection Moulded

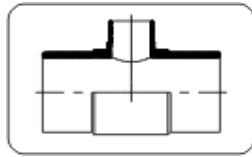
Butt Welding  
PE 100 Black



Dimension	Detail
50	50 x 3,0 SDR17 ISO S-8
63	63 x 3,8 SDR17 ISO S-8
75	75 x 4,5 SDR17 ISO S-8
90	90 x 5,4 SDR17 ISO S-8
110	110 x 6,6 SDR17 ISO S-8
125	125 x 7,4 SDR17 ISO S-8
140	140 x 8,3 SDR17 ISO S-8
160	160 x 9,5 SDR17 ISO S-8
180	180 x 10,7 SDR17 ISO S-8
200	200 x 11,9 SDR17 ISO S-8
225	225 x 13,4 SDR17 ISO S-8
250	250 x 14,8 SDR17 ISO S-8
280	280 x 16,6 SDR17 ISO S-8
315	315 x 18,7 SDR17 ISO S-8
355	355 x 21,1 SDR17 ISO S-8
400	400 x 23,7 SDR17 ISO S-8
450	450 x 26,7 SDR17 ISO S-8
500	500 x 29,7 SDR17 ISO S-8
20	20 x 2,0 SDR11 ISO S-5
25	25 x 2,3 SDR11 ISO S-5
32	32 x 2,9 SDR11 ISO S-5
40	40 x 3,7 SDR11 ISO S-5
50	50 x 4,6 SDR11 ISO S-5
63	63 x 5,8 SDR11 ISO S-5
75	75 x 6,8 SDR11 ISO S-5
90	90 x 8,2 SDR11 ISO S-5
110	110 x 10,0 SDR11 ISO S-5
125	125 x 11,4 SDR11 ISO S-5
140	140 x 12,7 SDR11 ISO S-5
160	160 x 14,6 SDR11 ISO S-5
180	180 x 16,4 SDR11 ISO S-5
200	200 x 18,2 SDR11 ISO S-5
225	225 x 20,5 SDR11 ISO S-5
250	250 x 22,7 SDR11 ISO S-5
280	280 x 25,4 SDR11 ISO S-5
315	315 x 28,6 SDR11 ISO S-5
355	355 x 32,2 SDR11 ISO S-5
400	400 x 36,3 SDR11 ISO S-5
450	450 x 40,9 SDR11 ISO S-5
500	500 x 45,4 SDR11 ISO S-5

# SHORT SPIGOT FITTINGS

**Tee Reducing**  
Injection Moulded  
**Butt Welding**  
**PE 100 Black**



Dimension	Detail
90/32	90/32 SDR17 ISO S-8
90/50	90/50 SDR17 ISO S-8
110/32	110/32 SDR17 ISO S-8
110/50	110/50 SDR17 ISO S-8
125/63	125/63 SDR17 ISO S-8
125/90	125/90 SDR17 ISO S-8
140/63	140/63 SDR17 ISO S-8
140/75	140/75 SDR17 ISO S-8
140/90	140/90 SDR17 ISO S-8
140/110	140/110 SDR17 ISO S-8
160/125	160/125 SDR17 ISO S-8
180/63	180/63 SDR17 ISO S-8
180/75	180/75 SDR17 ISO S-8
180/110	180/110 SDR17 ISO S-8
180/125	180/125 SDR17 ISO S-8
225/125	225/125 SDR17 ISO S-8
250/110	250/110 SDR17 ISO S-8
250/160	250/160 SDR17 ISO S-8
90/32	90/32 SDR11 ISO S-5
90/50	90/50 SDR11 ISO S-5
110/32	110/32 SDR11 ISO S-5
110/50	110/50 SDR11 ISO S-5
125/63	125/63 SDR11 ISO S-5
140/63	140/63 SDR11 ISO S-5
140/75	140/75 SDR11 ISO S-5
140/90	140/90 SDR11 ISO S-5
140/110	140/110 SDR11 ISO S-5
160/125	160/125 SDR11 ISO S-5
180/63	180/63 SDR11 ISO S-5
180/75	180/75 SDR11 ISO S-5
180/125	180/125 SDR11 ISO S-5
225/125	225/125 SDR11 ISO S-5
250/110	250/110 SDR11 ISO S-5
250/160	250/160 SDR11 ISO S-5

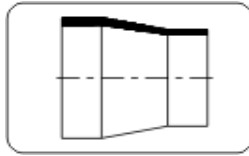
## SHORT SPIGOT FITTINGS

### Reducer Concentric

Injection Moulded

Butt Welding

PE 100 Black



Dimension	Detail
40/20	40/20 SDR17 ISO S-8
40/25	40/25 SDR17 ISO S-8
40/32	40/32 SDR17 ISO S-8
50/25	50/25 SDR17 ISO S-8
50/32	50/32 SDR17 ISO S-8
50/40	50/40 SDR17 ISO S-8
63/32	63/32 SDR17 ISO S-8
63/50	63/50 SDR17 ISO S-8
75/32	75/32 SDR17 ISO S-8
75/40	75/40 SDR17 ISO S-8
75/50	75/50 SDR17 ISO S-8
75/63	75/63 SDR17 ISO S-8
90/50	90/50 SDR17 ISO S-8
90/63	90/63 SDR17 ISO S-8
90/75	90/75 SDR17 ISO S-8
110/50	110/50 SDR17 ISO S-8
110/63	110/63 SDR17 ISO S-8
110/75	110/75 SDR17 ISO S-8
110/90	110/90 SDR17 ISO S-8
125/63	125/63 SDR17 ISO S-8
125/75	125/75 SDR17 ISO S-8
125/90	125/90 SDR17 ISO S-8
125/110	125/110 SDR17 ISO S-8
140/75	140/75 SDR17 ISO S-8
140/90	140/90 SDR17 ISO S-8
140/110	140/110 SDR17 ISO S-8
140/125	140/125 SDR17 ISO S-8
160/90	160/90 SDR17 ISO S-8
160/110	160/110 SDR17 ISO S-8
160/125	160/125 SDR17 ISO S-8
160/140	160/140 SDR17 ISO S-8
180/90	180/90 SDR17 ISO S-8
180/110	180/110 SDR17 ISO S-8
180/125	180/125 SDR17 ISO S-8
180/140	180/140 SDR17 ISO S-8
180/160	180/160 SDR17 ISO S-8
200/140	200/140 SDR17 ISO S-8
200/160	200/160 SDR17 ISO S-8
200/180	200/180 SDR17 ISO S-8
225/140	225/140 SDR17 ISO S-8
225/160	225/160 SDR17 ISO S-8
225/180	225/180 SDR17 ISO S-8
225/200	225/200 SDR17 ISO S-8
250/160	250/160 SDR17 ISO S-8
250/180	250/180 SDR17 ISO S-8
250/200	250/200 SDR17 ISO S-8
250/225	250/225 SDR17 ISO S-8
280/200	280/200 SDR17 ISO S-8
280/225	280/225 SDR17 ISO S-8
280/250	280/250 SDR17 ISO S-8
315/200	315/200 SDR17 ISO S-8
315/225	315/225 SDR17 ISO S-8
315/250	315/250 SDR17 ISO S-8
315/280	315/280 SDR17 ISO S-8

Continued on Next Page

## SHORT SPIGOT FITTINGS

### Reducer Concentric

Injection Moulded

Butt Welding

PE 100 Black

Dimension	Detail
25/20	25/20 SDR11 ISO S-5
32/20	32/20 SDR11 ISO S-5
32/25	32/25 SDR11 ISO S-5
40/20	40/20 SDR11 ISO S-5
40/25	40/25 SDR11 ISO S-5
40/32	40/32 SDR11 ISO S-5
50/25	50/25 SDR11 ISO S-5
50/32	50/32 SDR11 ISO S-5
50/40	50/40 SDR11 ISO S-5
63/32	63/32 SDR11 ISO S-5
63/40	63/40 SDR11 ISO S-5
63/50	63/50 SDR11 ISO S-5
75/32	75/32 SDR11 ISO S-5
75/40	75/40 SDR11 ISO S-5
75/50	75/50 SDR11 ISO S-5
75/63	75/63 SDR11 ISO S-5
90/50	90/50 SDR11 ISO S-5
90/63	90/63 SDR11 ISO S-5
90/75	90/75 SDR11 ISO S-5
110/50	110/50 SDR11 ISO S-5
110/63	110/63 SDR11 ISO S-5
110/75	110/75 SDR11 ISO S-5
110/90	110/90 SDR11 ISO S-5
125/63	125/63 SDR11 ISO S-5
125/75	125/75 SDR11 ISO S-5
125/90	125/90 SDR11 ISO S-5
125/110	125/110 SDR11 ISO S-5
140/75	140/75 SDR11 ISO S-5
140/90	140/90 SDR11 ISO S-5
140/110	140/110 SDR11 ISO S-5
140/125	140/125 SDR11 ISO S-5
160/90	160/90 SDR11 ISO S-5
160/110	160/110 SDR11 ISO S-5
160/125	160/125 SDR11 ISO S-5
160/140	160/140 SDR11 ISO S-5
180/90	180/90 SDR11 ISO S-5
180/110	180/110 SDR11 ISO S-5
180/125	180/125 SDR11 ISO S-5
180/140	180/140 SDR11 ISO S-5
180/160	180/160 SDR11 ISO S-5
200/140	200/140 SDR11 ISO S-5
200/160	200/160 SDR11 ISO S-5
200/180	200/180 SDR11 ISO S-5
225/140	225/140 SDR11 ISO S-5
225/160	225/160 SDR11 ISO S-5
225/180	225/180 SDR11 ISO S-5
225/200	225/200 SDR11 ISO S-5
250/160	250/160 SDR11 ISO S-5
250/180	250/180 SDR11 ISO S-5
250/200	250/200 SDR11 ISO S-5
250/225	250/225 SDR11 ISO S-5
280/200	280/200 SDR11 ISO S-5
280/225	280/225 SDR11 ISO S-5
280/250	280/250 SDR11 ISO S-5
315/200	315/200 SDR11 ISO S-5
315/225	315/225 SDR11 ISO S-5
315/250	315/250 SDR11 ISO S-5
315/280	315/280 SDR11 ISO S-5

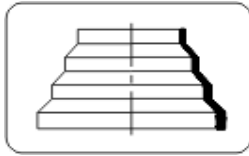
## SHORT SPIGOT FITTINGS

### Reducer Concentric Step

Injection Moulded

Butt Welding

PE 100 Black



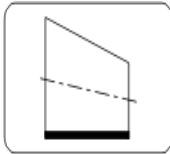
Dimension	Detail
63/16	63/16 SDR17 ISO S-8
75/32	75/32 SDR17 ISO S-8
110/63	110/63 SDR17 ISO S-8
125/75	125/75 SDR17 ISO S-8
160/110	160/110 SDR17 ISO S-8
225/160	225/160 SDR17 ISO S-8
315/225	315/225 SDR17 ISO S-8
450/315	450/315 SDR17 ISO S-8
630/450	630/450 SDR17 ISO S-8
63/16	63/16 SDR11 ISO S-5
75/32	75/32 SDR11 ISO S-5
110/63	110/63 SDR11 ISO S-5
125/75	125/75 SDR11 ISO S-5
160/110	160/110 SDR11 ISO S-5
225/160	225/160 SDR11 ISO S-5
315/225	315/225 SDR11 ISO S-5
450/315	450/315 SDR11 ISO S-5

### Reducer Eccentric

Injection Moulded

Butt Welding

PE 100 Black



Dimension	Detail
250/160	250/160 SDR17 ISO S-8
355/250	355/250 SDR17 ISO S-8
250/160	250/160 SDR11 ISO S-5
355/250	355/250 SDR11 ISO S-5

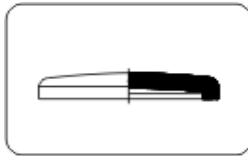
### End Cap

Injection

Moulded

Butt Welding

PE 100 Black



Dimension	Detail
355	355 SDR11 ISO S-5
400	400 SDR11 ISO S-5
450	450 SDR11 ISO S-5
500	500 SDR11 ISO S-5



## SHORT SPIGOT FITTINGS

### Stub Flange

Injection Moulded

Butt Welding

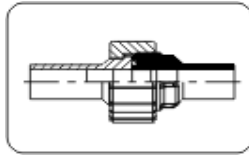
PE100 Black



Dimension	Detail
50	50 x 3,0 SDR17 ISO S-8
63	63 x 3,8 SDR17 ISO S-8
75	75 x 4,5 SDR17 ISO S-8
90	90 x 5,4 SDR17 ISO S-8
110	110 x 6,6 SDR17 ISO S-8
125	125 x 7,4 SDR17 ISO S-8
140	140 x 8,3 SDR17 ISO S-8
160	160 x 9,5 SDR17 ISO S-8
180	180 x 10,7 SDR17 ISO S-8
200	200 x 11,9 SDR17 ISO S-8
225	225 x 13,4 SDR17 ISO S-8
250	250 x 14,8 SDR17 ISO S-8
280	280 x 16,6 SDR17 ISO S-8
315	315 x 18,7 SDR17 ISO S-8
355	355 x 21,1 SDR17 ISO S-8
400	400 x 23,7 SDR17 ISO S-8
450	450 x 26,7 SDR17 ISO S-8
500	500 x 29,7 SDR17 ISO S-8
560	560 x 33,2 SDR17 ISO S-8
630	630 x 37,4 SDR17 ISO S-8
20	20 x 2,0 SDR11 ISO S-5
25	25 x 2,3 SDR11 ISO S-5
32	32 x 2,9 SDR11 ISO S-5
40	40 x 3,7 SDR11 ISO S-5
50	50 x 4,6 SDR11 ISO S-5
63	63 x 5,8 SDR11 ISO S-5
75	75 x 6,8 SDR11 ISO S-5
90	90 x 8,2 SDR11 ISO S-5
110	110 x 10,0 SDR11 ISO S-5
125	125 x 11,4 SDR11 ISO S-5
140	140 x 12,7 SDR11 ISO S-5
160	160 x 14,6 SDR11 ISO S-5
180	180 x 16,4 SDR11 ISO S-5
200	200 x 18,2 SDR11 ISO S-5
225	225 x 20,5 SDR11 ISO S-5
250	250 x 22,7 SDR11 ISO S-5
280	280 x 25,4 SDR11 ISO S-5
315	315 x 28,6 SDR11 ISO S-5
355	355 x 32,2 SDR11 ISO S-5
400	400 x 36,3 SDR11 ISO S-5
450	450 x 40,9 SDR11 ISO S-5
500	500 x 45,4 SDR11 ISO S-5
560	560 x 50,8 SDR11 ISO S-5

### Union

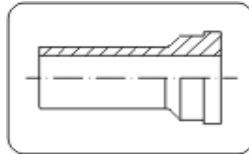
FPM-sealing  
Butt Welding  
PE100 Black



Dimension	Detail
25	25 SDR11 ISO S-5
32	32 SDR11 ISO S-5
40	40 SDR11 ISO S-5
50	50 SDR11 ISO S-5
63	63 SDR11 ISO S-5

### Union End

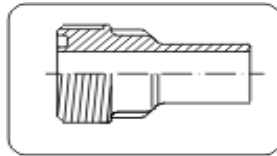
Spare Part Union 24  
Injection Moulded  
Butt-fusion  
PE 100 Black



Dimension	Detail
20	20 x 1,9 SDR11 ISO S-5
25	25 x 2,3 SDR11 ISO S-5
32	32 x 2,9 SDR11 ISO S-5
40	40 x 3,7 SDR11 ISO S-5
50	50 x 4,6 SDR11 ISO S-5
63	63 x 5,8 SDR11 ISO S-5

### Union Bush

Spare Part Union 24  
Injection Moulded  
Butt Welding  
PE 100 Black



Dimension	Detail
20	20 x 1,9 SDR11 ISO S-5
25	25 x 2,3 SDR11 ISO S-5
32	32 x 2,9 SDR11 ISO S-5
40	40 x 3,7 SDR11 ISO S-5
50	50 x 4,6 SDR11 ISO S-5
63	63 x 5,8 SDR11 ISO S-5

### Union Nut

Spare Part Union 24  
Injection Moulded  
PP-FRP Black



Dimension	Detail
20	20-G 1"
25	25-G 1 ¼"
32	32-G 1 ½"
40	40-G 2"
50	50-G 2 ¼"
63	63-G 2 ¾"

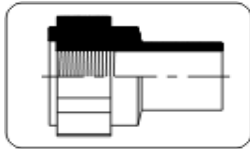
### Adaptor Female Thread

R-Thread

Injection Moulded

**Butt Welding**

**PE 100 Black**



Dimension	Detail
20	20 x ½" SDR11 ISO S-5
25	25 x ¾" SDR11 ISO S-5
32	32 x 1" SDR11 ISO S-5
40	40 x 1 ¼" SDR11 ISO S-5
50	50 x 1 ½" SDR11 ISO S-5
63	63 x 2" SDR 11 ISO S-5
75	75 x 2 ½" SDR11 ISO S-5
90	90 x 3" SDR11 ISO S-5
110	110 x 4" SDR11 ISO S-5

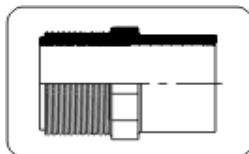
### Adaptor Male Thread

R-Thread

Injection Moulded

**Butt Welding**

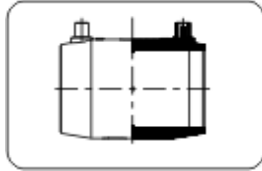
**PE 100 Black**



Dimension	Detail
20	20 x ½" SDR11 ISO S-5
25	25 x ¾" SDR11 ISO S-5
32	32 x 1" SDR11 ISO S-5
40	40 x 1 ¼" SDR11 ISO S-5
50	50 x 1 ½" SDR11 ISO S-5
63	63 x 2" SDR11 ISO S-5
75	75 x 2 ½" SDR11 ISO S-5
90	90 x 3" SDR11 ISO S-5
110	110 x 4" SDR11 ISO S-5

### EF-Coupler

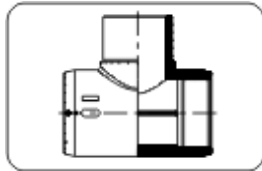
Injection Moulded  
Electro-fusion  
PE 100 Black



Dimension	Detail
2	25 SDR11/9/7,4
3	32 SDR11/9/7,4
4	40 SDR17/13,6/11/9/7,4
5	50 SDR17/13,6/11/9/7,4
6	63 SDR17/13,6/11/9/7,4
7	75 SDR17/13,6/11/9/7,4
9	90 SDR17/13,6/11/9/7,4
1	110 SDR17/13,6/11/9/7,4
1	125 SDR17/13,6/11/9/7,4
1	140 SDR17/13,6/11/9/7,4
1	160 SDR17/13,6/11/9/7,4
1	180 SDR 26/17/13,6/11/9/7,4
2	200 SDR 26/17/13,6/11/9/7,4
2	225 SDR 26/17/13,6/11/9/7,4
2	250 SDR 26/17/13,6/11/9/7,4
2	280 SDR 26/17/13,6/11/9/7,4
3	315 SDR 26/17/13,6/11/9/7,4
3	355 SDR 26/17/13,6/11/9/7,4
4	400 SDR 26/17/13,6/11/9/7,4

### EF-Tee

MOP Water 16 bar/gas 10 bar  
Injection Moulded  
Electro-fusion  
PE100 Black



Dimension	Detail
20	20 SDR11/9/7,4
25	25 SDR11/9/7,4
32	32 SDR11/9/7,4
40	40 SDR17/13,6/11/9/7,4
50	50 SDR17/13,6/11/9/7,4
63	63 SDR17/13,6/11/9/7,4
75	75 SDR17/13,6/11/9/7,4
90	90 SDR17/13,6/11/9/7,4
110	110 SDR17/13,6/11/9/7,4
125	125 SDR17/13,6/11/9/7,4
160	160 SDR17/13,6/11/9/7,4
225	225 SDR 26/17/13,6/11/9/7,4

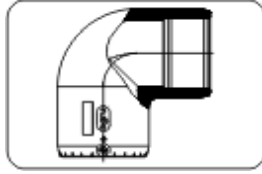
### EF-Elbow 90°

MOP Water 16 bar/gas 10 bar

Injection Moulded

Electro-fusion

PE 100 Black



Dimension	Detail
20	20 SDR11/9/7,4
25	25 SDR11/9/7,4
32	32 SDR11/9/7,4
40	40 SDR17/13,6/11/9/7,4
50	50 SDR17/13,6/11/9/7,4
63	63 SDR17/13,6/11/9/7,4
75	75 SDR17/13,6/11/9/7,4
90	90 SDR17/13,6/11/9/7,4
110	110 SDR17/13,6/11/9/7,4
125	125 SDR17/13,6/11/9/7,4
160	160 SDR17/13,6/11/9/7,4
225	225 SDR 26/17/13,6/11/9/7,4

### EF-Elbow 45°

MOP Water 16 bar/gas 10

Bar Injection Moulded

Electro-fusion

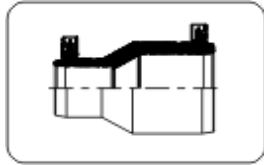
PE 100 black



Dimension	Detail
20	20 SDR11/9/7,4
25	25 SDR11/9/7,4
32	32 SDR11/9/7,4
40	40 SDR17/13,6/11/9/7,4
50	50 SDR17/13,6/11/9/7,4
63	63 SDR17/13,6/11/9/7,4
75	75 SDR17/13,6/11/9/7,4
90	90 SDR17/13,6/11/9/7,4
110	110 SDR17/13,6/11/9/7,4
125	125 SDR17/13,6/11/9/7,4
160	160 SDR17/13,6/11/9/7,4
225	225 SDR 26/17/13,6/11/9/7,4

### EF-Reducer Concentric

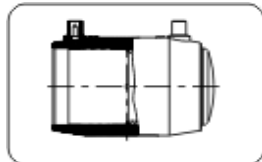
MOP Water 16 bar/gas 10 bar  
Injection Moulded  
**Electro-fusion**  
**PE 100 Black**



Dimension	Detail
25/20	25/20 SDR11/9/7,4
32/20	32/20 SDR11/9/7,4
32/25	32/25 SDR11/9/7,4
40/20	40/20 SDR11/9/7,4
40/25	40/25 SDR11/9/7,4
40/32	40/32 SDR11/9/7,4
50/25	50/25 SDR11/9/7,4
50/32	50/32 SDR11/9/7,4
50/40	50/40 SDR17/13,6/11/9/7,4
63/32	63/32 SDR11/9/7,4
63/40	63/40 SDR17/13,6/11/9/7,4
63/50	63/50 SDR17/13,6/11/9/7,4
75/50	75/50 SDR17/13,6/11/9/7,4
75/63	75/63 SDR17/13,6/11/9/7,4
90/63	90/63 SDR17/13,6/11/9/7,4
110/63	110/63 SDR17/13,6/11/9/7,4
110/90	110/90 SDR17/13,6/11/9/7,4
160/90	160/90 SDR17/13,6/11/9/7,4
160/110	160/110 SDR17/13,6/11/9/7,4
225/160	225/160 SDR17/13,6/11/9/7,4

### EF-End Cap

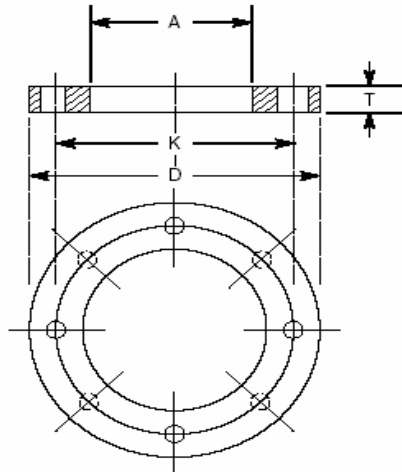
MOP Water 16 bar/gas 10 bar  
Injection Moulded  
**Electro-fusion**  
**PE100 Black**



Dimension	Detail
25	25 SDR11/9/7,4
32	32 SDR11/9/7,4
40	40 SDR17/13,6/11/9/7,4
50	50 SDR17/13,6/11/9/7,4
63	63 SDR17/13,6/11/9/7,4
75	75 SDR17/13,6/11/9/7,4
90	90 SDR17/13,6/11/9/7,4
110	110 SDR17/13,6/11/9/7,4
125	125 SDR17/13,6/11/9/7,4
140	140 SDR17/13,6/11/9/7,4
160	160 SDR17/13,6/11/9/7,4
180	180 SDR 26/17/13,6/11/9/7,4
200	200 SDR 26/17/13,6/11/9/7,4
225	225 SDR 26/17/13,6/11/9/7,4
250	250 SDR 26/17/13,6/11/9/7,4
280	280 SDR 26/17/13,6/11/9/7,4
315	315 SDR 26/17/13,6/11/9/7,4

## Backing Rings

Table 'D'



Pipe OD	K	D	A	T Galv.	T S/S	Bolt Holes No. x Dia.	Bolt
20	67	95	32	6	6	4 x 14	M12
25	73	100	37	6	6	4 x 14	M12
32	83	115	44	6	6	4 x 14	M12
40	87	120	52	6	6	4 x 14	M12
50	98	135	62	8	8	4 x 14	M12
63	114	150	78	8	8	4 x 18	M16
75	127	165	92	8	8	4 x 18	M16
90	146	185	108	10	8	4 x 18	M16
110	178	215	128	10	8	4 x 18	M16
125	210	255	140	13	8	8 x 18	M16
140	210	255	158	13	10	8 x 18	M16
160	235	280	178	13	10	8 x 18	M16
180	235	280	195	13	10	8 x 18	M16
200	292	335	235	13	12	8 x 18	M16
225	292	335	240	13	12	8 x 18	M16
250	356	405	290	16	12	8 x 22	M20
280	356	405	300	16	12	8 x 22	M20
315	406	455	345	19	16	12 x 22	M20
355	470	525	376	22	16	12 x 26	M24
400	521	580	430	22	20	12 x 26	M24
450	584	640	480	25	20	12 x 26	M24
500	641	705	533	29	25	16 x 26	M24
560	699	760	590	32	25	16 x 30	M27
630	756	825	660	32	-	16 x 30	M27
710	845	910	745	35	-	20 x 30	M27
800	984	1060	835	41	-	20 x 36	M33
1000	1175	1255	1035	51	-	24 x 36	M33

**Table 'E'**

Pipe OD	K	D	A	T Galv.	T S/S	Bolt Holes No. x Dia.	Bolt
20	67	32	32	6	-	4 x 14	M12
25	73	37	37	6	6	4 x 14	M12
32	83	44	44	7	6	4 x 14	M12
40	87	52	52	8	6	4 x 14	M12
50	98	62	62	9	8	4 x 14	M12
63	114	78	78	10	8	4 x 18	M16
75	127	92	92	10	8	4 x 18	M16
90	146	108	108	12	8	4 x 18	M16
110	178	128	128	13	8	8 x 18	M16
125	210	140	140	14	8	8 x 18	M16
140	210	158	158	14	10	8 x 18	M16
160	235	178	178	17	10	8 x 22	M20
180	235	195	198	17	10	8 x 22	M20
200	292	235	235	19	12	8 x 22	M20
225	292	240	240	19	12	8 x 22	M20
250	356	290	290	22	12	12 x 22	M20
280	356	300	300	22	12	12 x 22	M20
315	406	345	345	25	16	12 x 26	M24
355	480	376	376	29	16	12 x 26	M24
400	521	430	430	32	20	12 x 26	M24
450	584	480	480	32	20	16 x 26	M24
500	641	533	533	38	25	16 x 26	M24
560	699	590	590	44	32	16 x 30	M27
630	756	660	660	48	32	16 x 33	M30
710	845	745	745	51	-	20 x 33	M30
800	984	835	835	54	-	20 x 36	M33
1000	1175	1035	1035	67	-	24 x 39	M36



## A.N.S.I. 150#

Pipe OD	K	D	A	T Galv.	T S/S	Bolt Holes No. x Dia.	Bolt
20	20	60.5	32	6	6	4 x 16	1/2"
25	25	70	37	8	6	4 x 16	1/2"
32	32	79.5	44	8	6	4 x 16	1/2"
40	40	89	52	8	6	4 x 16	1/2"
50	50	98.5	62	10	8	4 x 16	1/2"
63	63	120.5	78	10	8	4 x 20	5/8 "
75	75	139.5	92	10	8	4 x 20	5/8"
90	90	152	108	12	8	4 x 20	5/8"
110	110	190.5	128	12	8	8 x 20	5/8"
125	125	216	140	16	8	8 x 23	3/4"
140	140	216	158	16	10	8 x 23	3/4"
160	160	241	178	16	10	8 x 23	3/4"
180	180	241	195	16	10	8 x 23	3/4"
200	200	298.5	235	20	12	8 x 23	3/4"
225	225	298.5	240	20	12	8 x 23	3/4"
250	250	362	290	20	12	12 x 26	7/8"
280	280	362	300	20	12	12 x 26	7/8"
315	315	432	345	25	16	12 x 26	7/8"
355	355	476	376	28	16	12 x 29	1"
400	400	540	430	32	20	16 x 29	1"
450	450	578	480	36	20	16 x 32	1 1/8"
500	500	635	533	40	25	20 x 32	1 1/8"
630	630	749	660	50	32	20 x 32	1 1/4"

## Valves



### Materials

Cast Iron  
 Stainless Steel  
 P.E. (Polyethylene)  
 P.P. (Polypropylene)  
 UPVC  
 PVDF

### Types

Union  
 Ball Valve  
 Diaphragm  
 Butterfly  
 Knifegate  
 Wafer

Manual, Pneumatic and Electrical Control

## HDPE Sheet

### Black

Thickness	Tolerance	Standard Sheet Size		
1.5 mm	- 0.2 / + 0.2			2000 x 1000
3 mm	- 0.2 / + 0.2		3000 x 1500	2000 x 1000
4.5 mm	- 0.2 / + 0.2			2000 x 1000
5 mm	- 0.2 / + 0.2		3000 x 1500	
6 mm	- 0.2 / + 0.2		3000 x 1500	
10 mm	- 0.4 / + 0.4	4000 x 2000	3000 x 1500	
12 mm	- 0.4 / + 0.4	4000 x 2000	3000 x 1500	
15 mm	- 0.5 / + 0.5	4000 x 2000	3000 x 1500	
20 mm	- 0.7 / + 0.7	4000 x 2000	3000 x 1500	
25 mm	- 0.8 / + 0.8		3000 x 1500	
30 mm	- 1.0 / + 1.0		3000 x 1500	
35 mm	- 0.4 / + 0.4			2000 x 1000
40 mm	- 0.4 / + 0.4			2000 x 1000
50 mm	- 0.5 / + 0.5			2000 x 1000
60 mm	- 0.7 / + 0.7			2000 x 1000
70 mm	- 0.8 / + 0.8			2000 x 1000
100 mm	- 1.0 / + 1.0			2000 x 1000

### Natural

Thickness	Tolerance	Standard Sheet Size mm	
1.5 mm	- 0.20 / + 0.20		2000 x 1000
3 mm	- 0.20 / + 0.20	3000 x 1500	2000 x 1000
4.5 mm	- 0.20 / + 0.20		2000 x 1000
5 mm	- 0.20 / + 0.20	3000 x 1500	
6 mm	- 0.20 / + 0.20	3000 x 1500	2000 x 1000
10 mm	- 0.40 / + 0.40	3000 x 1500	
12 mm	- 0.40 / + 0.40	3000 x 1500	
15 mm	- 0.50 / + 0.50	3000 x 1500	
20 mm	- 0.70 / + 0.70	3000 x 1500	
25 mm	- 0.80 / + 0.80	3000 x 1500	
30 mm	- 1.00 / + 1.00	3000 x 1500	

### Rod - Black

Diameter	Tolerance	Length
25 mm	+ 0.2 / + 1.2	2 m
30 mm	+ 0.2 / + 1.2	2 m
35 mm	+ 0.2 / + 1.3	2 m
40 mm	+ 0.2 / + 1.5	2 m
50 mm	+ 0.2 / + 2.0	2 m
60 mm	+ 0.3 / + 2.0	2 m
65 mm	+ 0.3 / + 2.3	2 m
70 mm	+ 0.3 / + 2.5	2 m
75 mm	+ 0.4 / + 3.0	2 m
80 mm	+ 0.4 / + 3.0	1 m
90 mm	+ 0.5 / + 3.4	1 m
100 mm	+ 0.6 / + 3.8	1 m
110 mm	+ 0.7 / + 4.2	0.5 m
125 mm	+ 0.8 / + 4.6	0.5 m
150 mm	+ 1.0 / + 5.8	0.5 m
200 mm	+ 1.3 / + 8.5	0.5 m